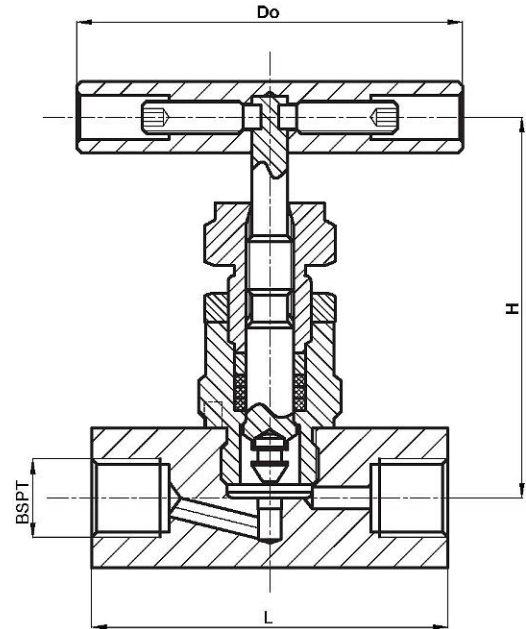


## İğne Vana / Needle Valve



BSPT	L	H	Do
1/4"	60	64.2	65
3/8"	60	64.2	65
1/2"	76,2	74	65
3/4"	78	81	65
1"	96	81	75

NO	PARÇA ADI	PART NAME	MATERIAL
1	GÖVDE	BODY	F316
2	PİM	DOWEL	STAINLESS STEEL
3	SALMASTRA	PACKING	PTFE
4	KAPAK	BONNET	316
5	KİLİT SOMUNU	LOCKING NUT	17-4
6	BASKI VİDASI	PACKING BOLT	304
7	ÜST MİL	UPPER STEM	316
8	AYAR VİDASI	SET SCREW	STAINLESS STEEL
9	HENDİL	HANDLE	AL
10	CONTA	PACKING WASHER	316
11	MİL UCU	STEM TIP	316

### UYGULAMA ALANLARI / APPLICATIONS

ENERJİ SANTRALLERİ, GAZ, YAKIT, SU, BUHAR, LNG, LPG VB. / POWER PLANTS, GAS, OIL, WATER, STEAM, LNG, LPG ETC.

BAĞLANTI / ENDS: BSPT

ÇALIŞMA BASINCI / WORKING PRESSURE : 6.000 PSI

ÇALIŞMA SICAKLIĞI / WORKING TEMPERATURE: -53°C / +455°C